



ELEVATOR READY INC.  
ELEVATORS FOR THE HOME

SHOP DRAWING NAME

ARCHITECT

GENERAL CONTRACTOR

EQUIPMENT SUPPLIED BY:

ELEVATOR READY INC.  
5060 RITTER ROAD  
MECHANICSBURG, PA. 17055  
PHONE 717-697-3780

SPECIFICATIONS

2 LANDING  
VL

CAR 36"Dx48"Wx42"H CODE(S) 6  
CAPACITY 750 LBS. AT 10 F.P.M.  
FINISH BEIGE

☑ ALL DOORS MUST BE INTERLOCKED  
☑ KEYSWITCH OPERATION

- ☐ AUTO FOLD RAMP
- ☐ STATIONARY RAMP
- ☐ LANDING GATE W/ INTERLOCK
- ☐ PLATFORM GATE WITH INTERLOCK
- ☑ EMERGENCY ALARM
- ☑ EMERGENCY STOP
- ☑ MANUAL LOWERING
- ☑ PLATFORM SAFETY MECHANISM
- ☑ INSTANT REVERSE
- ☑ LIMIT SWITCHES
- ☑ S/S DIAPHRAGM

NOTICE TO ELECTRICAL CONTRACTOR:  
INSTALL 110V. SINGLE PHASE  
DISCONNECT SWITCH

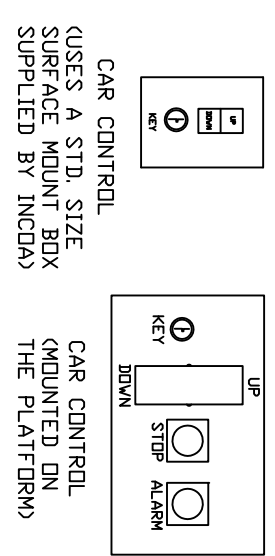
1 HP. MOTOR 120V. SINGLE PHASE  
60 CYCLE  
20 AMP MAIN LINE FUSE

DRAWING BY: CHANCE  
DATE:

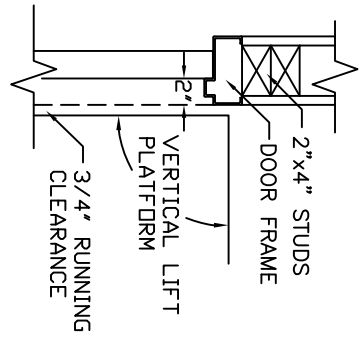
DRAWING IDENTIFICATION NUMBER

VL\_STUD\_ENCL\_CODE6

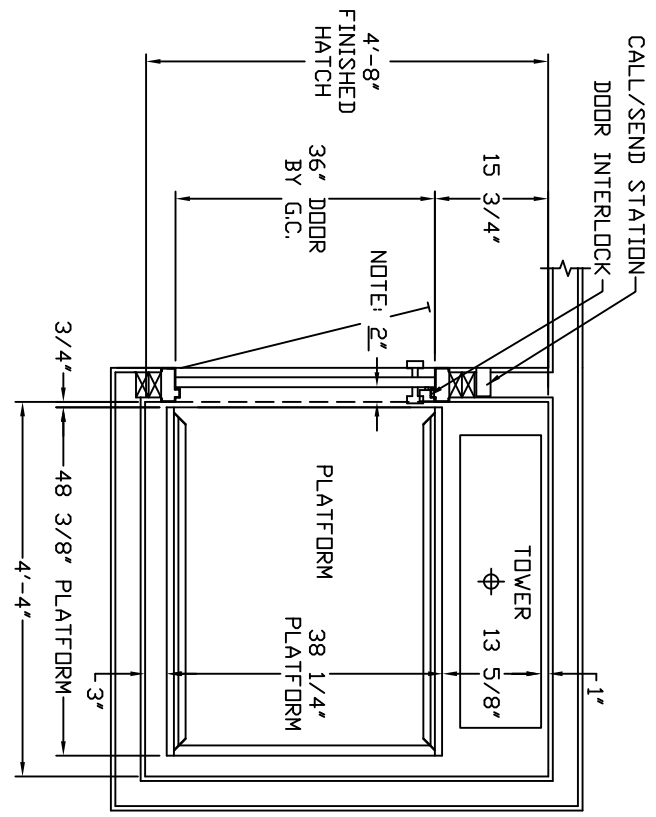
TYPICAL NOT FOR CONSTRUCTION



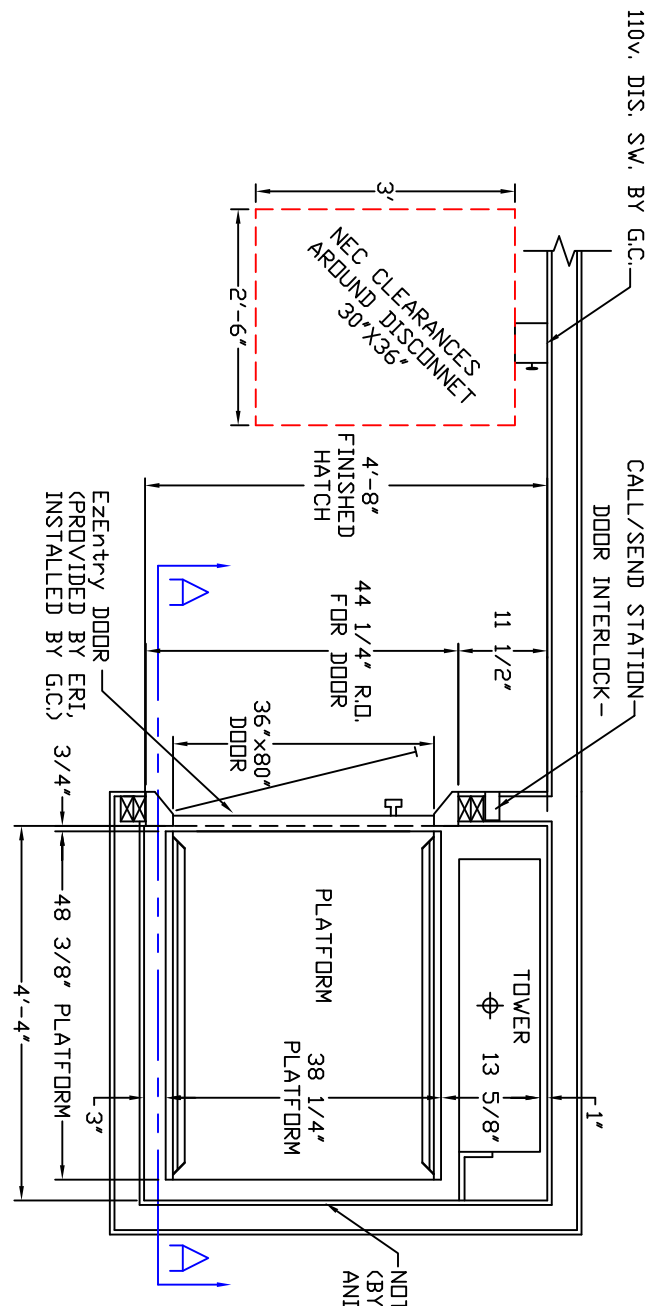
UPPER DOOR  
FRAME DETAIL



UPPER LEVEL  
SHAFT PLAN



LOWER LEVEL  
SHAFT PLAN



THIS LIFT IS DESIGNED  
TO MEET OR EXCEED  
ASME A181.1-2001 PART 2