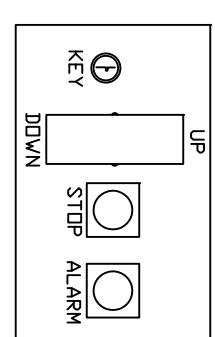


PARTIAL ENCLOSURE BY INCLINATOR OTHER WALLS AND SUPPORT BY GENERAL CONTRACTOR



SHOP DRAWING NAME



CAR CONTROL (MOUNTED ON THE PLATFORM)

GENERAL CONTRACTOR

EQUIPMENT SUPPLIED BY:

ELEVATOR READY INC.
5060 RITTER ROAD
MECHANICSBURG, PA. 17055
PHONE 717-697-3780

SPECIFICATIONS

2 LANDING
VERTICAL LIFT

L-120

CAR 38 1/4"x48"x42"H CODE(S) 3/6
CAPACITY 750 LBS. AT 10 F.P.M.

- ALL DDORS MUST BE INTERLOCKED
- KEYSWITCH OPERATION
- AUTO FOLD RAMP
- STATIONARY RAMP
- LANDING GATE w/ INTERLOCK
- PLATFORM GATE WITH INTERLOCK
- EMERGENCY ALARM
- EMERGENCY STOP
- MANUAL LOWERING
- PLATFORM SAFETY MECHANISM
- INSTANT REVERSE
- LIMIT SWITCHES
- ENCLOSURE DDOR BY INCDA
- ENCLOSURE WALL BY INCDA

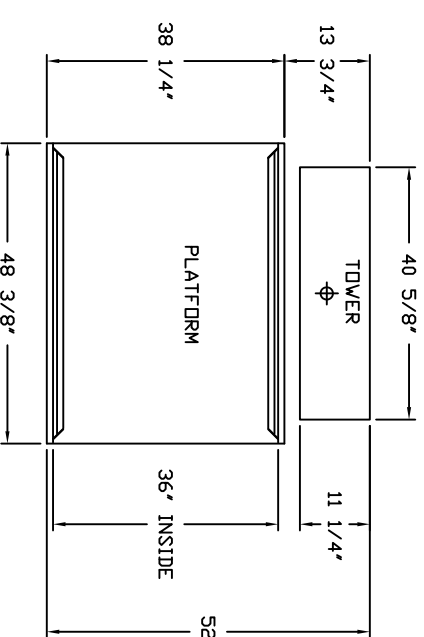
NOTICE TO ELECTRICAL CONTRACTOR:
INSTALL 110V. DIS. SW. TYPE DUTLET
1 H.P. MOTOR 120V. SINGLE PHASE
60 CYCLE
20 AMP MAIN LINE FUSE

NOTE: ALL HOISTWAY CONSTRUCTION MUST COMPLY WITH NATIONAL, STATE, AND LOCAL CODES. PLEASE ADVISE INCDA OF ANY CHANGES NEEDED TO THE DRAWING FOR COMPLIANCE IN YOUR AREA.

INCDA JOB #
DRAWING BY: CHANCE
DATE:

DRAWING IDENTIFICATION NUMBER

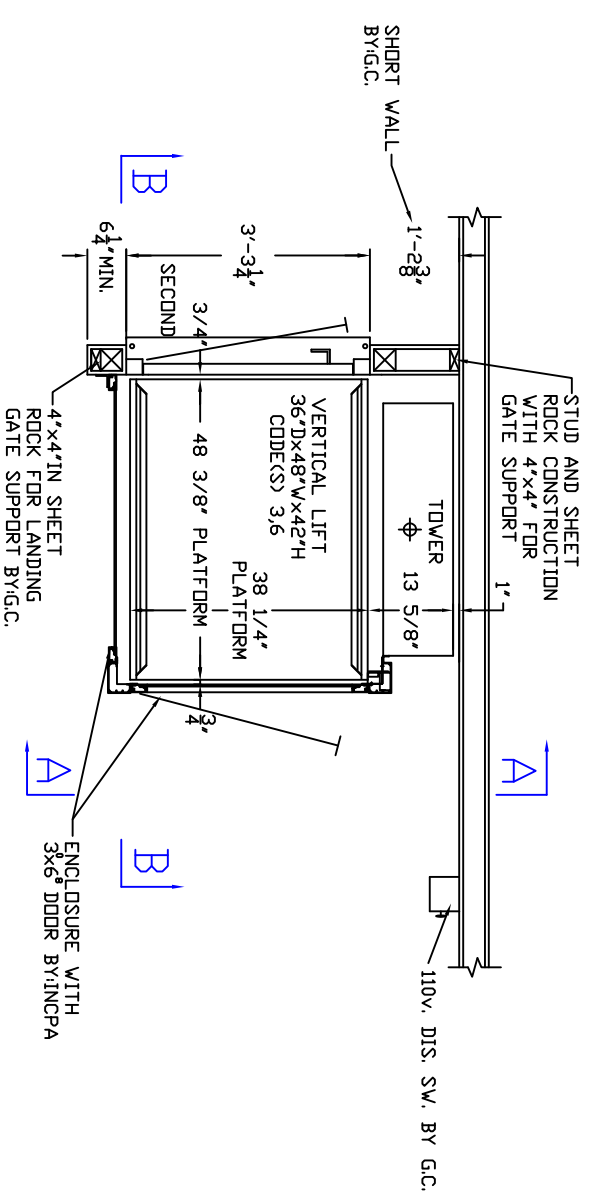
VL_ALUM_ENCL



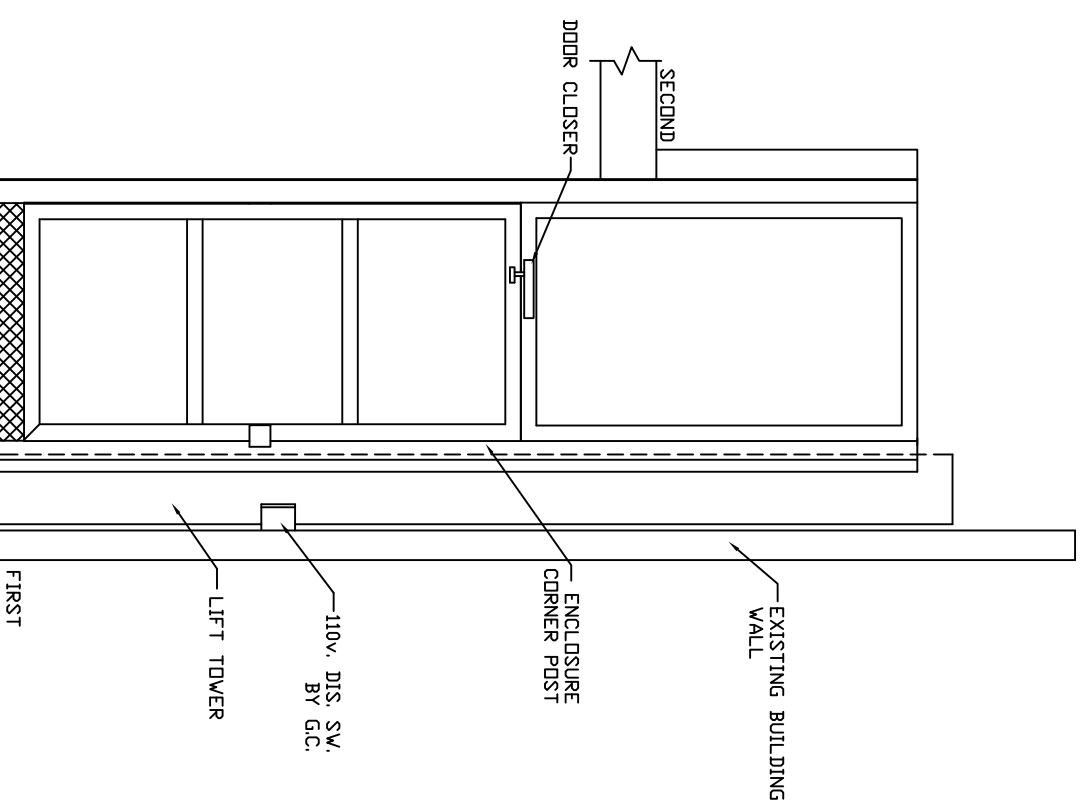
PLATFORM AND TOWER FOOTPRINT

CAR CONTROL (USES A STD. SIZE SURFACE MOUNT BOX SUPPLIED BY INCDA)

TYPICAL NOT FOR CONSTRUCTION

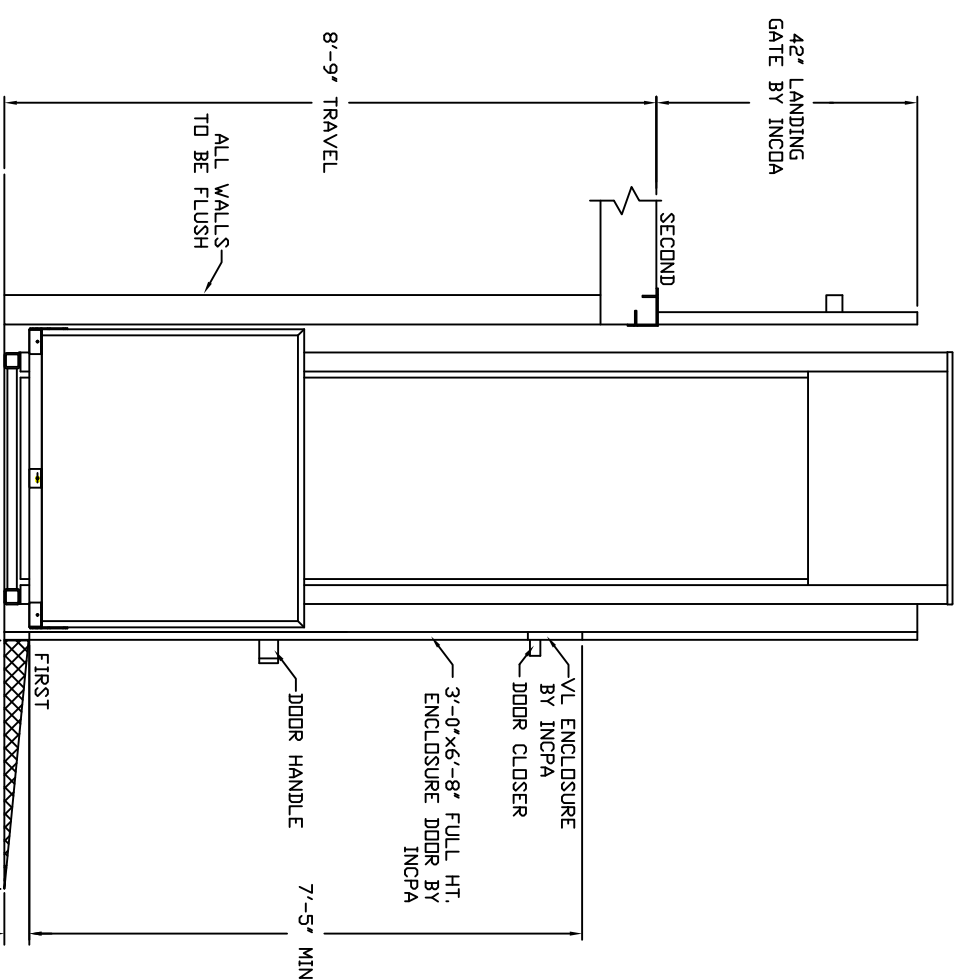


SHAFT PLAN



SECTION A-A

TYPICAL NOT FOR CONSTRUCTION



SECTION B-B