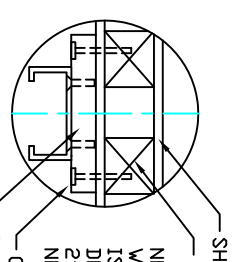
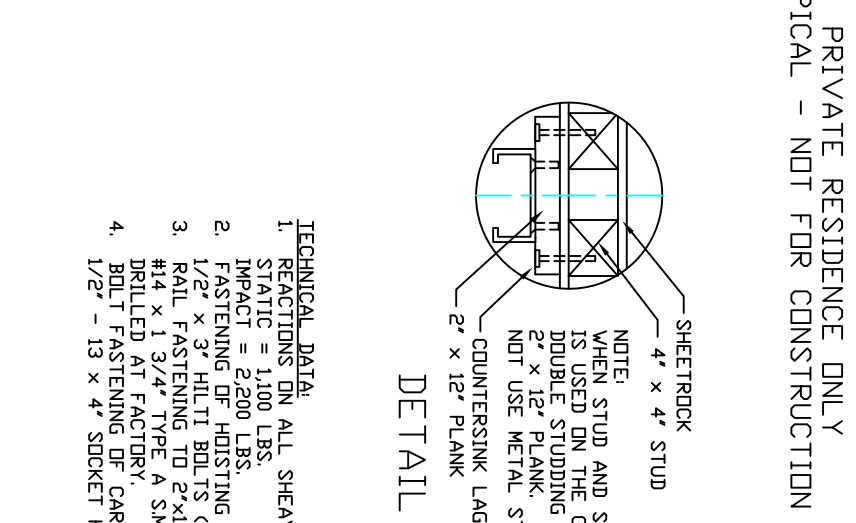
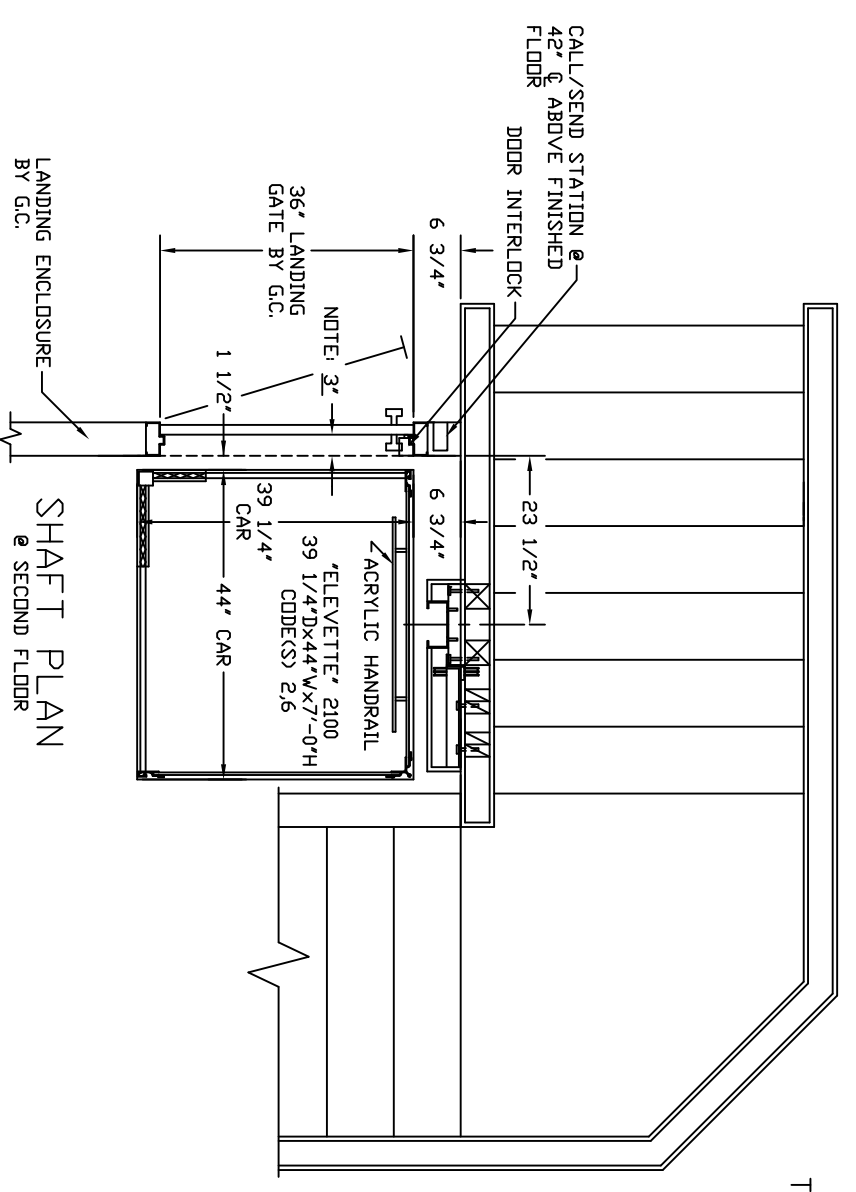


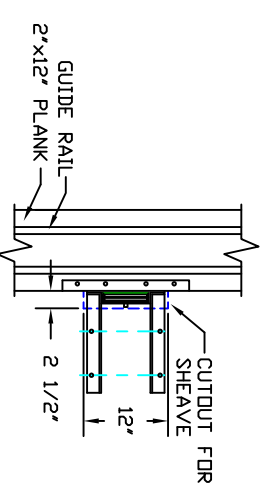
PRIVATE RESIDENCE ONLY  
TYPICAL - NOT FOR CONSTRUCTION



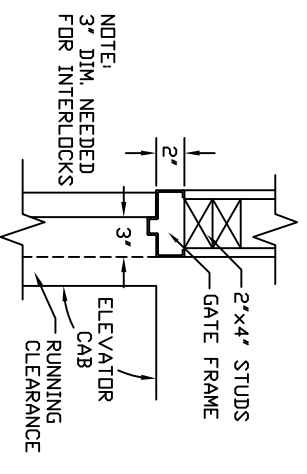
NOTE:  
WHEN STUD AND SHEETROCK CONSTRUCTION IS USED ON THE GUIDE RAIL SUPPORT WALL DOUBLE STUDDING IS NEEDED BEHIND THE 2' x 12' PLANK. COUNTERSINK LAGS. DO NOT USE METAL STUDS.

DETAIL

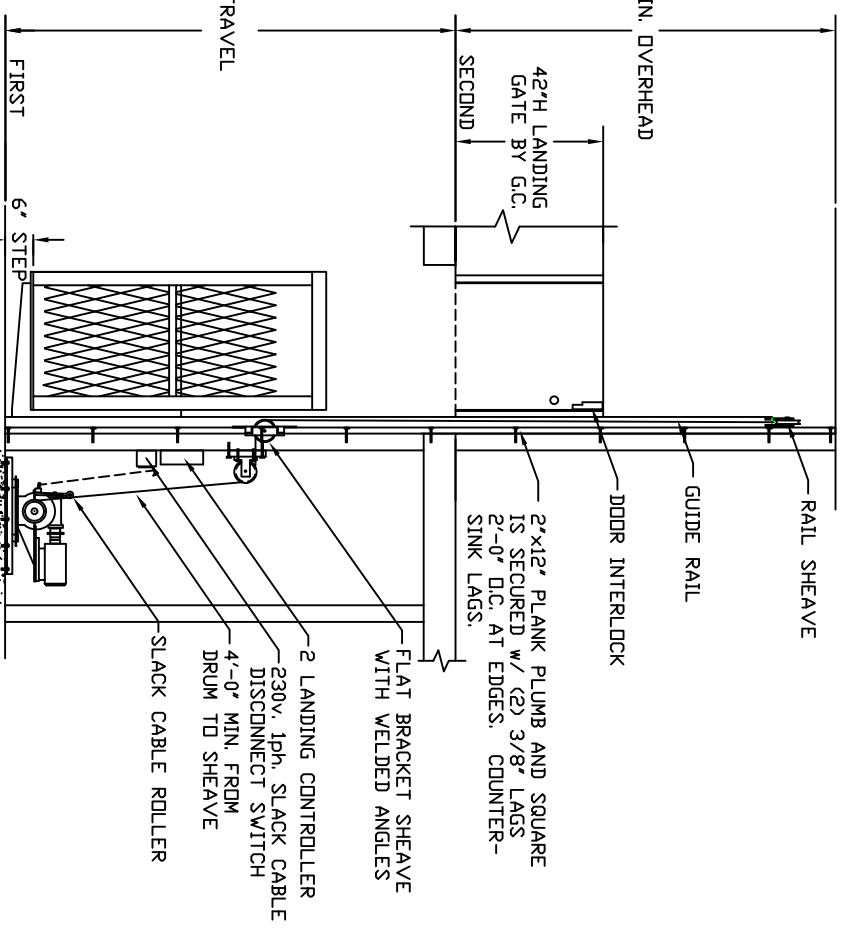
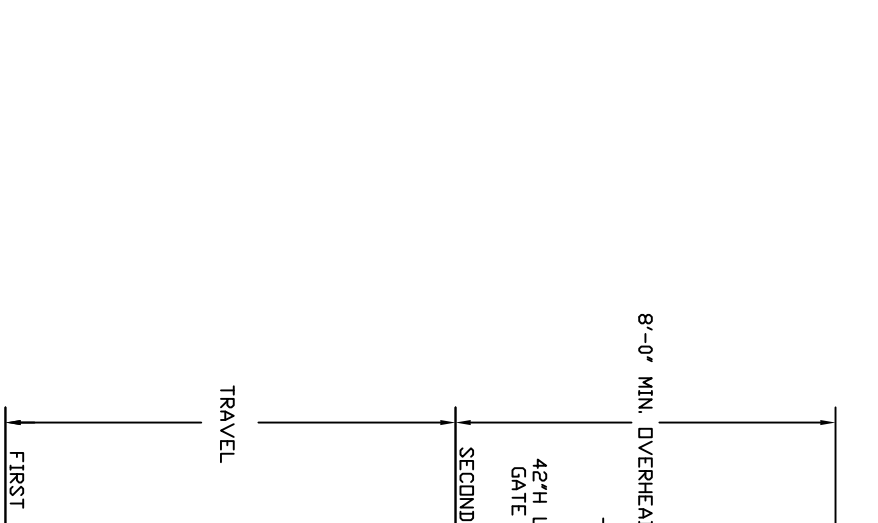
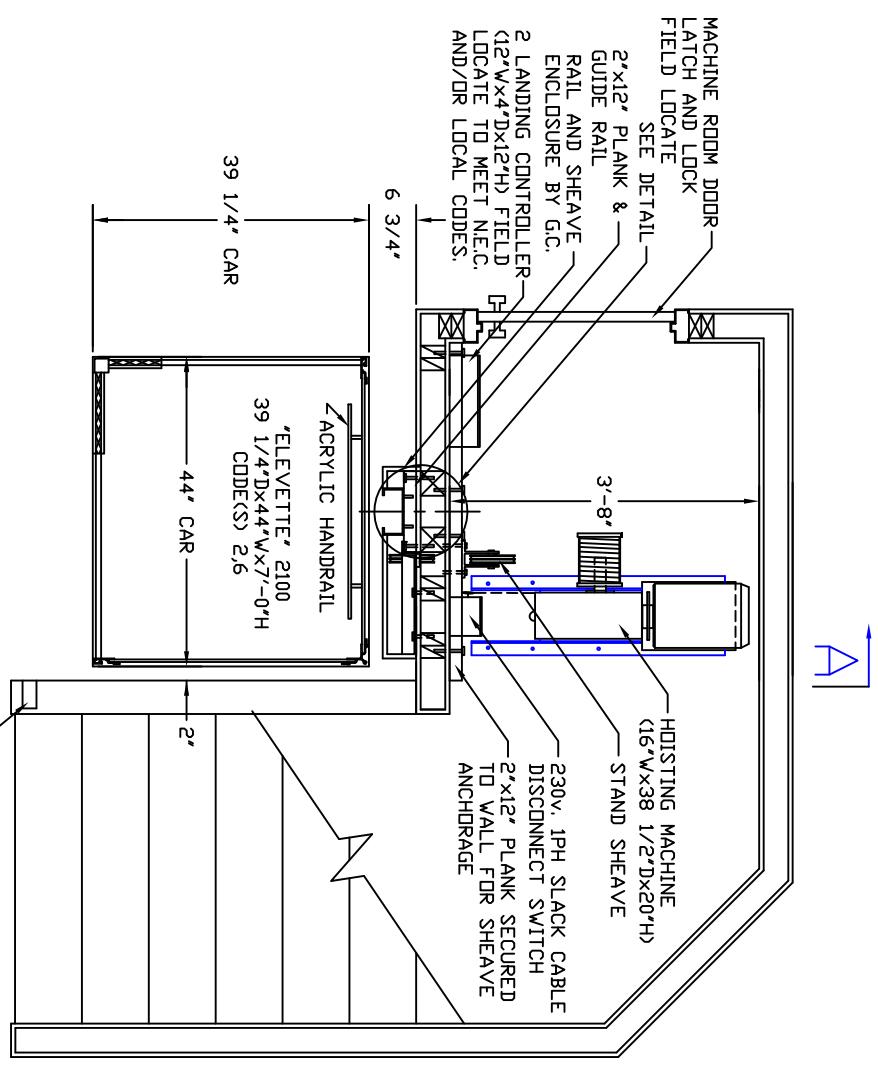
- TECHNICAL DATA:
1. REACTIONS ON ALL SHEAVES AND MOUNTINGS STATIC = 1,100 LBS. IMPACT = 2,200 LBS.
  2. FASTENING OF HOISTING MACHINE TO CONCRETE 1/2" x 3" HILTI BOLTS (OR EQUAL)
  3. RAIL FASTENING TO 2"x12" PLANK #14 x 1 3/4" TYPE A SMS. RAIL IS PRE-DRILLED AT FACTORY.
  4. BOLT FASTENING OF CAR TO TROLLEY 1/2" - 13 x 4" SOCKET HD CAP SCREWS



CUTOUT DETAIL



GATE FRAME DETAIL



SECTION A-A

**SHOP DRAWING NAME**  
PRIVATE RESIDENCE ONLY  
TYPICAL - NOT FOR CONSTRUCTION  
ARCHITECT

**EQUIPMENT INSTALLED BY**  
INCLINATOR COMPANY OF CENTRAL PA  
1000 WISTER STREET  
HARRISBURG, PA. 17104  
TOLL FREE 888-849-4377

**SPECIFICATIONS**  
2 LANDING  
"ELEVETTE" 5100  
CAR 39 1/4"x44"x7'-0"H CODE(S)2,6  
CAPACITY 500 LBS. AT 30 F.P.M.  
2 CABLES 5,700 LBS. T.S. IMP. PLOW  
STEEL 1/4" x 8 x 19 IWRC  
CAR CONSTRUCTION: 3/8" PANELS  
PANEL SELECTION:  
1-SILVER MIRROR, 1-CLEAR ACRYLIC

- ALL DDORS/GATES INTERLOCKED
- MACHINE LIMIT
- SOUND INSULATING BASE
- TELEPHONE CORD
- SURFACE MOUNT LIGHT
- BUBBLE DOME
- FLUATING GATES
- GATE SAFETY BAR
- EMERGENCY LIGHT AND ALARM
- ALARM BELL
- IN USE LIGHTS
- ARRIVAL LIGHTS
- ONE ACRYLIC HANDRAIL
- BUFFER SPRING
- KEYSWITCH OPERATION
- STABILIZER
- HALF TROLLEY
- SAFETY DIAPHRAGM
- DOUBLE ACTION GATE LOCKS
- CONSTANT PRESSURE OPERATION

NOTE: TO ELECTRICAL CONTRACTOR:  
BRING 4 #10 WIRES TO DISCONNECT SWITCH; (2)-110, (1)-NEUTRAL, (1)-GROUND, 1 1/2 H.P. MOTOR 230 VOLTS 1 PHASE 60 CYCLE  
10 AMPS RUN 50 AMPS START  
FUSE 15 AMP SLD BLD  
30 AMP MAIN LINE FUSE  
NOTE TO ELEVATOR CONTRACTOR OR HIS REPRESENTATIVE: ALL ELECTRICAL WIRING MUST BE DONE BY A JOURNEYMAN MECHANIC AND MUST MEET ALL NATIONAL, STATE, AND LOCAL CODES.  
NOTE: ALL HOISTWAY AND MACHINE ROOM CONSTRUCTION MUST COMPLY WITH NATIONAL, STATE, AND LOCAL CODES. PLEASE ADVISE INCA OF ANY CHANGES NEEDED TO THE DRAWING FOR COMPLIANCE IN YOUR AREA.

PRIVATE RESIDENCE ONLY  
TYPICAL - NOT FOR CONSTRUCTION

INCA JOB #  
DEALER P.O. #  
DRAWN BY: CHANCE  
DATE: 12/02/02  
DRAWING IDENTIFICATION NUMBER  
WD UNENCLOSED