



SHOP DRAWING NAME

CLASSIC COMMUNITIES

ARCHITECT

GENERAL CONTRACTOR

EQUIPMENT INSTALLED BY:
 ELEVATOR READY INC.
 5060 RITTER ROAD
 MECHANICSBURG, PA. 17055
 PHONE 717-697-3780
 TOLL FREE 888-849-4377

SPECIFICATIONS

3 LANDING
 HYDRARIDE II
 "ELEVETTE" 200

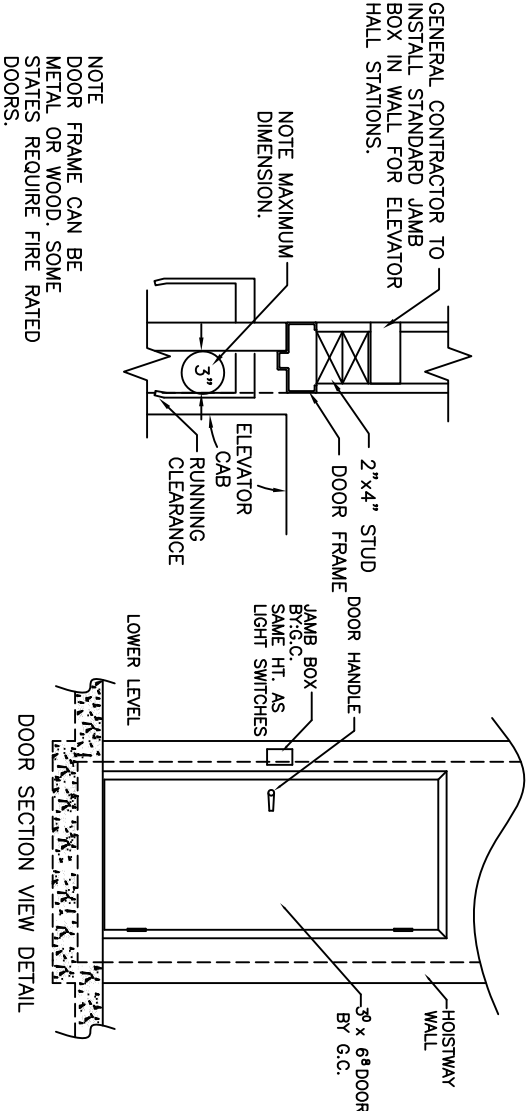
CAR 38"Dx60"Wx7'-0"H CODE(S) 4
 CAPACITY 750 LBS. AT 30 F.P.M. ±4
 2 CABLES 13,200 LBS. T.S. IMP FLOW
 STEEL 3/8" x 8 x 19 WRC

CAR CONSTRUCTION: 3/4" HARDWOOD VENEER
 COLOR/PANEL SELECTION: PLEASE ADVISE

- ALL DOORS INTERLOCKED
 - TELEPHONE CORD
 - DOWN LIGHT
 - FLOATING GATE
 - EMERGENCY LIGHT & ALARM
 - IN USE LIGHTS
 - ARRIVAL LIGHTS
 - HANDRAIL(S) 1" □ BRASS □ WOOD
 - GATE SAFETY BAR
 - STABILIZER
 - KEYSWITCH OPERATION IN C.O.P.
 - ALARM BELL
 - LIGHTED BUTTONS
 - BATTERY LOWERING
 - TELEPHONE CABINET
 - HALF TROLLEY
 - WHISKER SWITCH
 - PIT SWITCH
 - WHEELCHAIR HT. CAR CONTROLS
- NOTICE TO ELECTRICAL CONTRACTOR:
 BRING 4 #10 WIRES TO DISCONNECT SWITCH: (2)-110, (1)-NEUTRAL, (1)-GROUND.
 2 1/2 H.P. MOTOR 220 VOLTS 1 ph 60 CYCLE
 F.L.A. 10
 FUSE 15 AMP SLO BLO
 30 AMP MAIN LINE FUSE
- NOTE TO ELEVATOR CONTRACTOR OR HIS REPRESENTATIVE: ALL ELECTRICAL WIRING MUST BE DONE BY A JOURNEYMEN MECHANIC AND MUST MEET ALL NATIONAL, STATE, AND LOCAL CODES.
- NOTE: ALL HOISTWAY AND MACHINE ROOM CONSTRUCTION MUST COMPLY WITH NATIONAL, STATE, AND LOCAL CODES. PLEASE ADVISE INCOA OF ANY CHANGES NEEDED TO THE DRAWING FOR COMPLIANCE IN YOUR AREA.
- SWING TYPE SHAFT DOORS BY OTHERS

DRAWING BY: *Gkaneva*
 DATE:

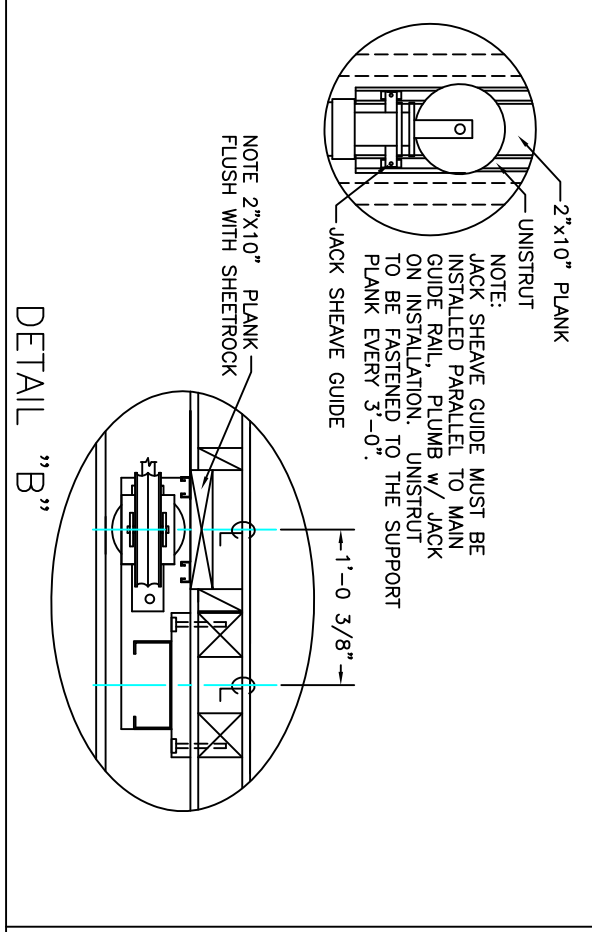
DRAWING IDENTIFICATION NUMBER
 H2 3LA CODE4_60IN



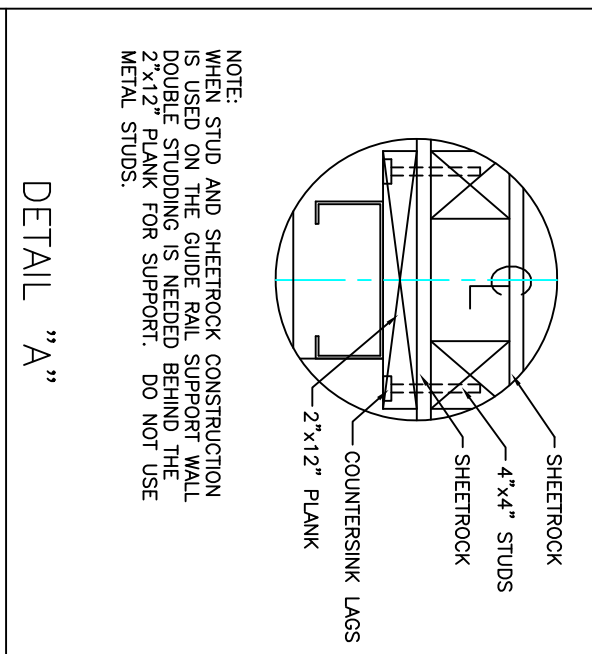
DOOR DETAILS

NOTE: DOOR FRAME CAN BE METAL OR WOOD. SOME STATES REQUIRE FIRE RATED DOORS.

GENERAL CONTRACTOR TO INSTALL STANDARD JAMB BOX IN WALL FOR ELEVATOR HALL STATIONS.

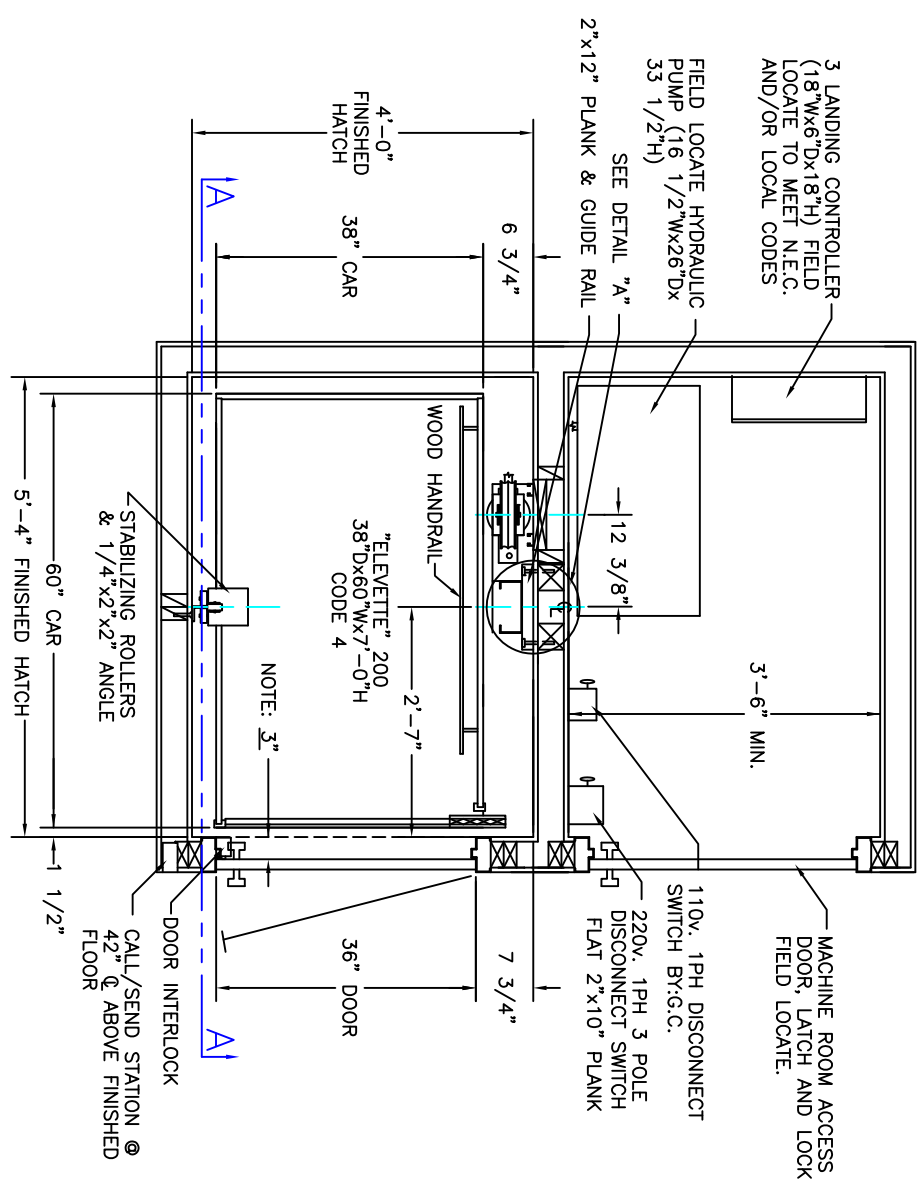


DETAIL "B"

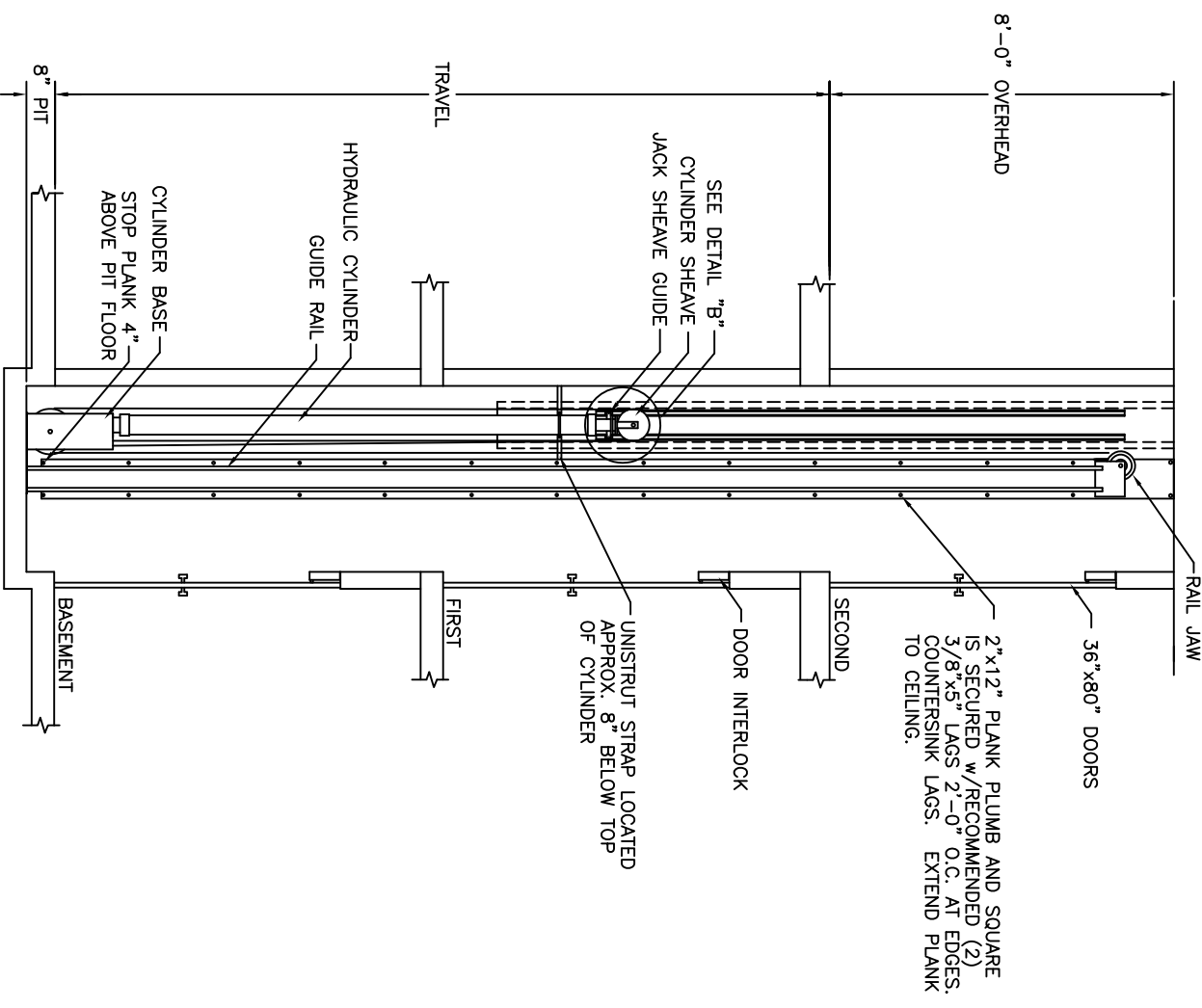


DETAIL "A"

- TECHNICAL DATA:
1. REACTIONS ON ALL SHEAVES AND MOUNTINGS STATIC = 1,350 LBS. IMPACT = 2,700 LBS.
 2. RAIL FASTENING TO 2"x12" PLANK #14 x 1 3/4" TYPE A S.M.S. RAIL IS PRE-DRILLED AT FACTORY.
 3. BOLT FASTENING OF CAR TO TROLLEY 1/2" - 13 x 4" SOCKET HD CAP SCREWS



SHAFT PLAN



SECTION A-A

NOT FOR COMMERCIAL APPLICATION